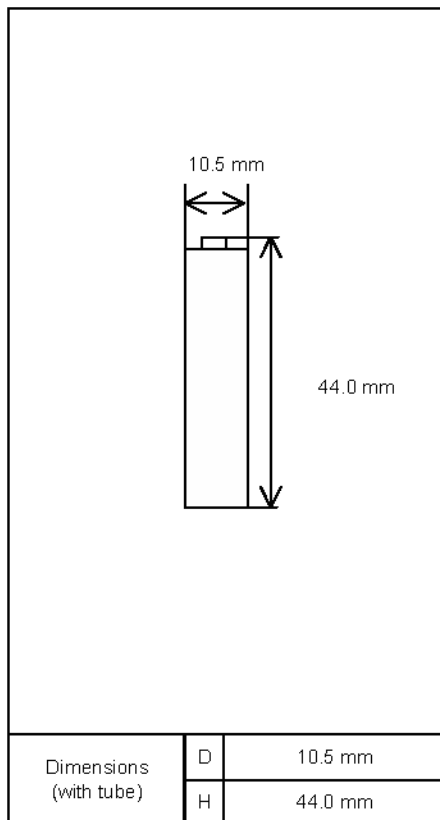


Specifications

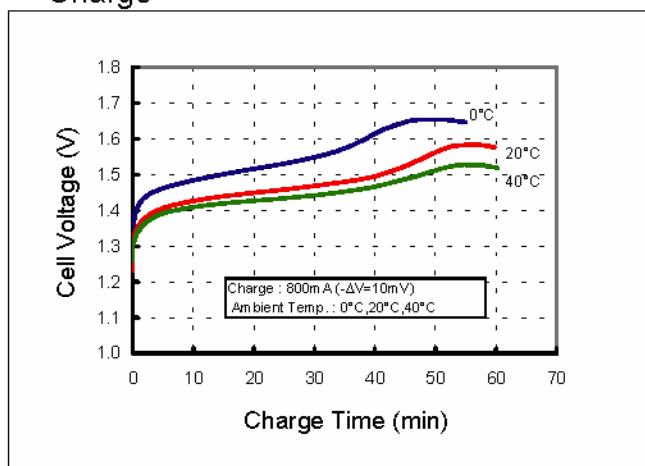


Type : Nickel-Metal Hydride Battery		Size : AAA Consumer Type	
Capacity \varnothing	Typical	800mAh	
	Minimum	740mAh	
Nominal Voltage		1.2V	
Charging Current \times Time	Fast Charge \varnothing	800 mA \times about 1.1h	
Ambient Temp.	Charge Condition	Fast Charge \varnothing	0°C - 40°C
	Discharge Condition		0°C - 50°C
	Storage Condition	Less than 30days	-20°C - 50°C
		Less than 90days	-20°C - 40°C
Less than 1year		-20°C - 30°C	
Internal Impedance \varnothing (after discharge to E.V.=1.0V)		Approx. 40m Ω (at 1000Hz)	
Weight \varnothing		Approx. 13 g	
Size \varnothing : (Diameter) \times (Height)		10.5(D) \times 44.0(H) mm	

- 1) Single cell capacity under the following condition.
Charge : 80mA \times 16h, Discharge : 160mA(E.V.=1.0V) at 20°C
- 2) Use recommended charging system.
- 3) After a few charge and discharge cycles under the above 1) condition.
- 4) With tube.

Typical Characteristics

Charge



Discharge

